

# 12' REMOTE REFRIGERATED PATISSERIE TABLE

CRITICAL  
TEMP

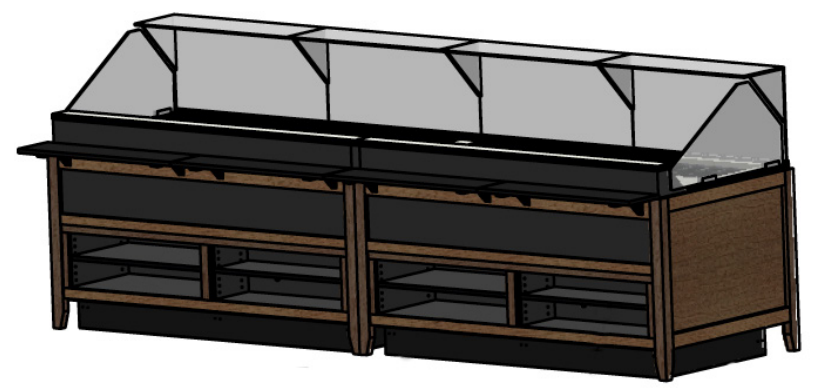


## 12' REMOTE REFRIGERATED PATISSERIE TABLE

### DESCRIPTION

JSI's 12' refrigerated patisserie tables are available in our full range of styles and finish options to perfectly match your entire department.

With high-visibility glass enclosures and quick service access, this new case helps to safely and beautifully display your fresh bakery products.



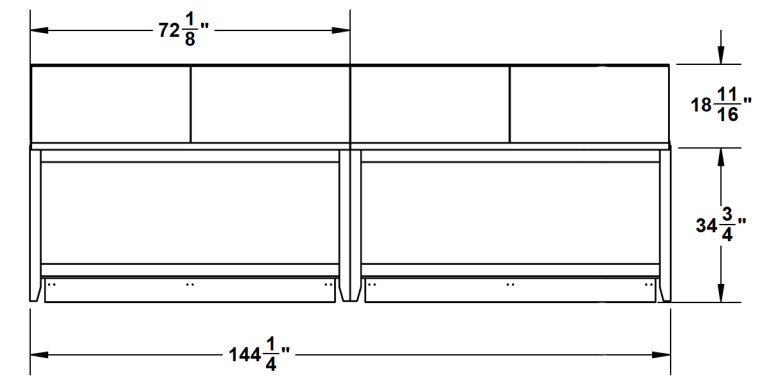
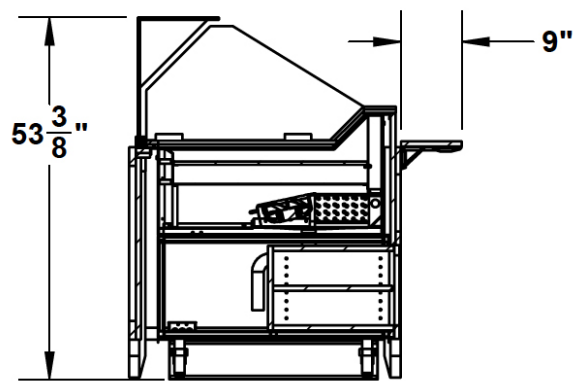
### STANDARD REMOTE REFRIGERATED PATISSERIE TABLE

### FEATURES

- High Visibility Glass Enclosures
- Rear Prep Counter
- Designed to Maintain Product Temperatures <41° F
- Rear Storage Shelving
- Variety of Materials/Finishes/Options

### APPLICATIONS

Use as a Stand-Alone for Fresh Bakery Items, In-Line or in an Island Setting.



140 Park Street • Milo, Maine 04463 • 800.332.5507 TEL • 207.943.5632 FAX • [JSISTOREFIXTURES.COM](http://JSISTOREFIXTURES.COM)  
Milo, Maine • Bangor, Maine • Payson, Utah • Collingwood, Ontario

STYLE	ITEM #	WIDTH	LENGTH
12' PATISSERIE TABLE	RBD1312-001	53 7/16"	144 1/4"

### MATERIALS, FINISHES AND ACCESSORIES

Please refer to our "Styles, Groupings, Stains, and Accessories" brochure to see our wide range of materials, finishes, and accessories