

# END CAP TABLE



140 Park Street • Milo, Maine 04463 • 800.332.5507 TEL • 207.943.5632 FAX • [JSISTOREFIXTURES.COM](http://JSISTOREFIXTURES.COM)  
Milo, Maine • Bangor, Maine • Payson, Utah • Greenville, South Carolina • Collingwood, Ontario

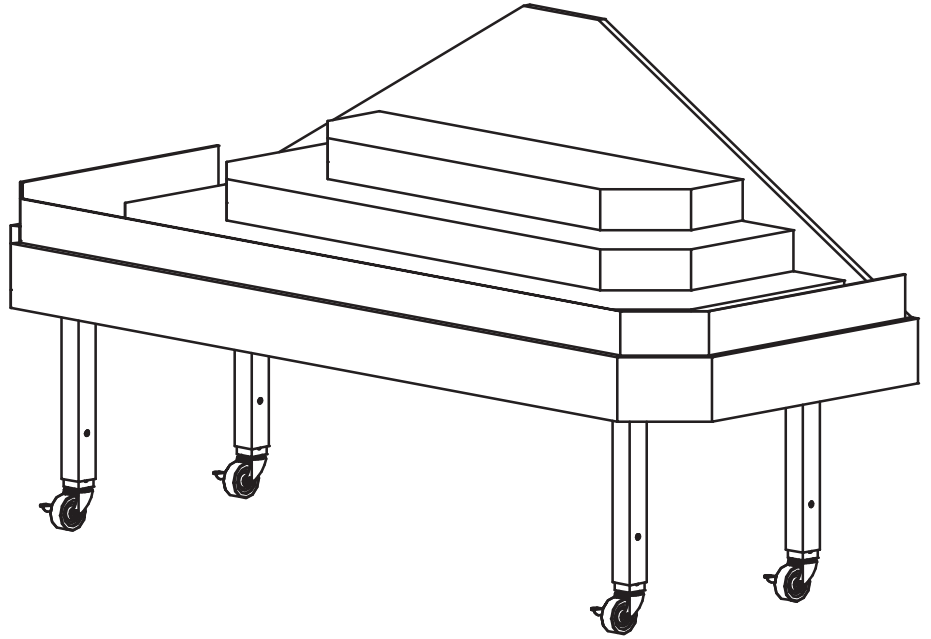
# END CAP TABLE

## DESCRIPTION

JSI's End Cap Table is a great way to create a massive end display on your back-to-back Refrigerated Slant Bins or Euro Tables. Can be used for a variety of produce items.

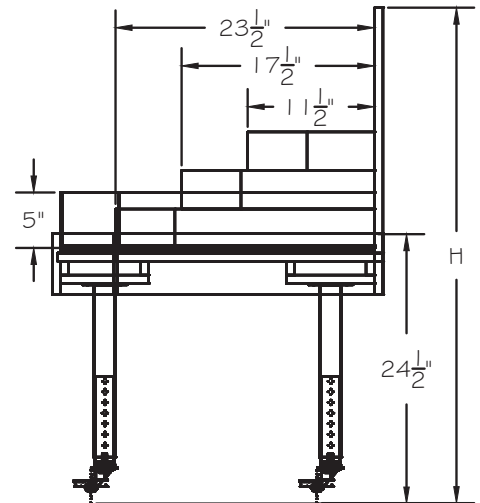
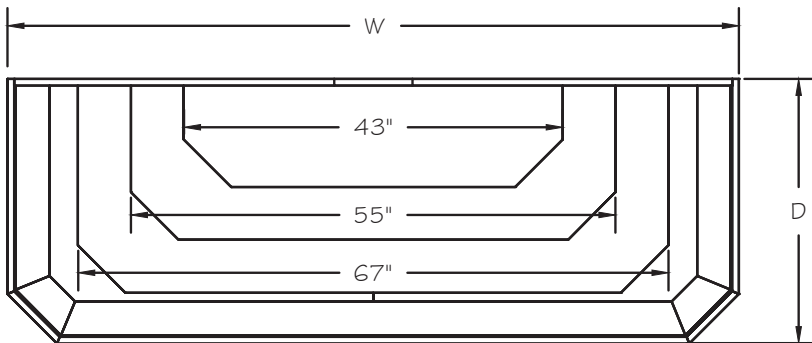
## FEATURES

- 4 Levels of Merchandising Area for Produce
- Three 3½" Antimicrobial Foam Risers
- ½" Antimicrobial Foam Base Pad
- Adjustable Metal Legs
- 5" H Plexi Product Stops on All Sides
- Variety of Colors / Options
- 3" Locking Casters



## APPLICATIONS

- Use as an end cap for loose and packaged items or in an island setting
- Incorporate with JSI refrigerated and non-refrigerated products



STYLE	ITEM #	SIZES W x D x H
END CAP TABLE	C-EC	66" X 30" X 45" 83" X 30" X 45"

## MATERIALS, FINISHES, FOAM, AND ACCESSORIES

Please refer to our "Styles, Groupings, Stains, and Accessories" brochure to see our wide range of materials, finishes, merchandising foam, and accessories.