

DRAWER-STYLE TABLE



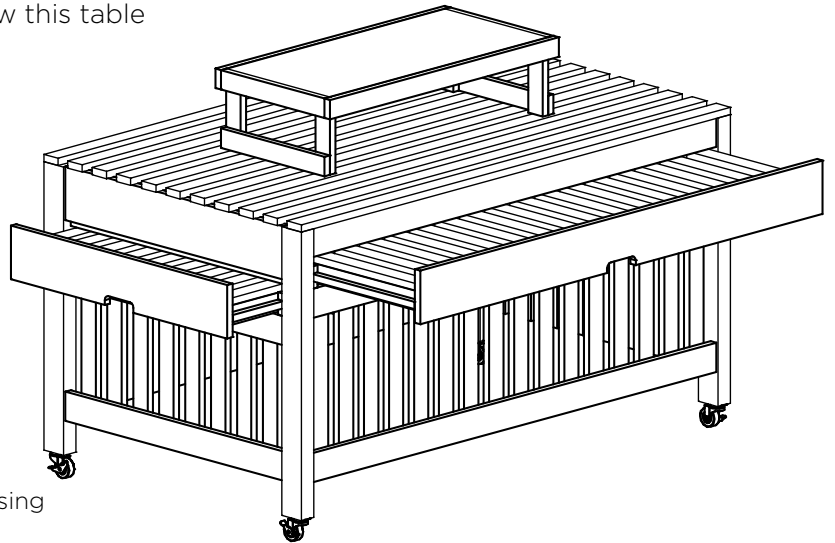
140 Park Street • Milo, Maine 04463 • 800.332.5507 TEL • 207.943.5632 FAX • JSISTOREFIXTURES.COM
Milo, Maine • Bangor, Maine • Payson, Utah • Greenville, South Carolina • Collingwood, Ontario

DRAWER-STYLE TABLE

DESCRIPTION

JSI's Drawer-Style Table is a flexible and attractive display ideal for creating a massive presentation, no matter what your sales volume is. The pull-out drawers allow this table to flex with your sales.

DRAWER-STYLE NESTING TABLE SHOWN WITH TWO SHELVES IN EXTENDED POSITIONS AND CLOSED-OFF SLATTED SKIRT



FEATURES

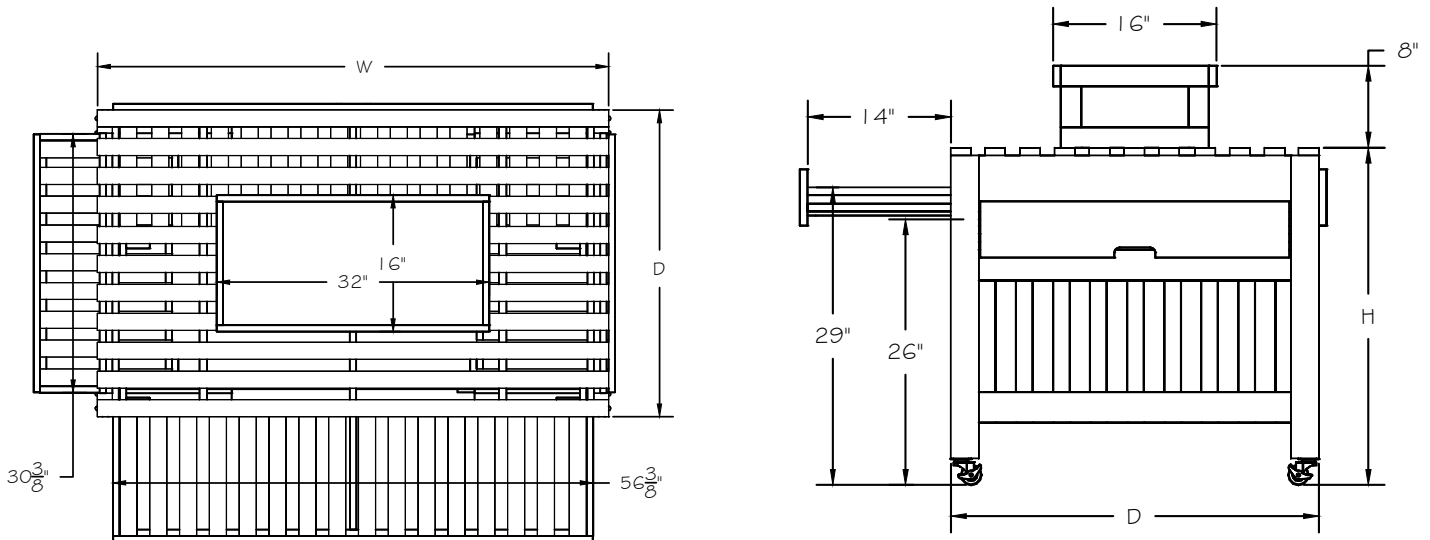
- 4 Pull-Out Drawer-Style Shelves
- Slatted Wood Closed-Off Base
- Large Merchandising Area
- 8" H Topper for Multiple Level Merchandising
- 8" H Removable Topper for Multi-Level Merchandising

OPTIONS

- Variety of Materials / Stains / Options

APPLICATIONS

- Use with Packaged Bakery
- Use as a Stand Alone Merchandiser



STYLE	ITEM #	SIZES W x D x H
DRAWER-STYLE TABLE	C-DT	60" X 36" X 33"

Consult JSI Sales Associate for Available Glass Shields and Countertop Surfaces

MATERIALS, FINISHES, AND ACCESSORIES

Please refer to our "Stains and Accessories" brochure to see our wide range of materials, finishes, and accessories.